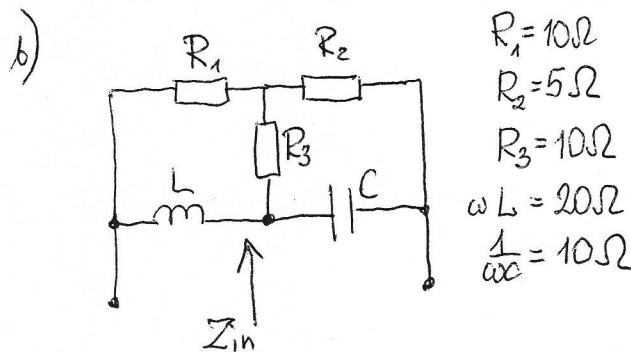
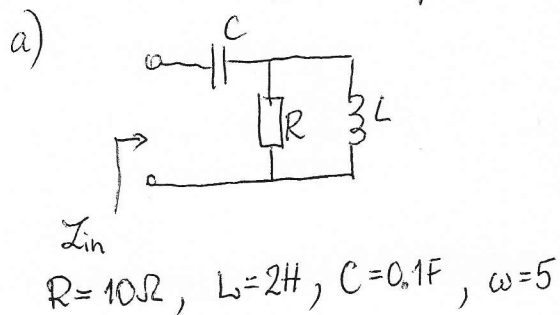


1. Calculate input impedance of circuit at sinusoidal excitation



2. Calculate currents in the circuit

